

FPA

TEMPERATURE ALARM SYSTEM



- * **ALARM TRIGGERS WHEN TEMPERATURE GOES TOO HIGH OR TOO LOW**
- * **RECHARGEABLE CELL POWERS COMPLETE MODULE THROUGH POWER SUPPLY FAILURE FOR AT LEAST 4 HOURS**
- * **PULSED AUDIBLE ALARM ATTRACTS ATTENTION EVEN IN NOISY ENVIRONMENTS**
- * **FLASHING LED INDICATORS SHOW MAINS FAILURE AND INCORRECT TEMPERATURES**
- * **TIME DELAY TO ALLOW DEFROST OR SHORT TERM TEMPERATURE DEVIATIONS WITHOUT ALARM**
- * **EXTRA CONTACTS PROVIDED FOR REMOTE ALARM INDICATION**
- * **FAIL-SAFE ALARM IF SENSOR GOES OPEN OR SHORT CIRCUIT**

The FPA-series of alarms are sophisticated electronic systems for the protection of refrigerated display cases, drug cabinets, blood banks, cold stores and any other chambers where temperature must be maintained between set limits. Installation is simple and wiring is easy, with no connections to the control system of the cabinet being protected. The FPA can therefore be fitted retrospectively to any installation. Temperature limits and time delay controls are enclosed inside the module, to avoid accidental or unauthorised adjustment once they have been set. The FPA Alarm will continuously monitor the temperature, giving both audible and visual alarms if the limits are exceeded for longer than the set time period.

A separate remote alarm relay within the module has contacts available to operate an external alarm or for connection to a Building Management System. This relay operates at the same time as the audible alarm indicates a temperature fault, or gives a warning of mains supply failure. (Temperature monitoring, including both audible and visual alarm functions continue through a power supply failure, due to the internal battery, which is kept charged during normal supply periods.)

Both the audible alarm and the remote alarm relays are re-set by the 'mute' push button, except during a supply failure, when the relay continues to give warning until the supply is restored (although the audible alarm can still be muted).

By connecting this relay to 'auto dial' equipment a telephone alarm warning can be relayed to an engineer's telephone when equipment is left unattended. These features make the FPA-series of alarms simple to use yet offer comprehensive alarm systems for temperature controlled environments.

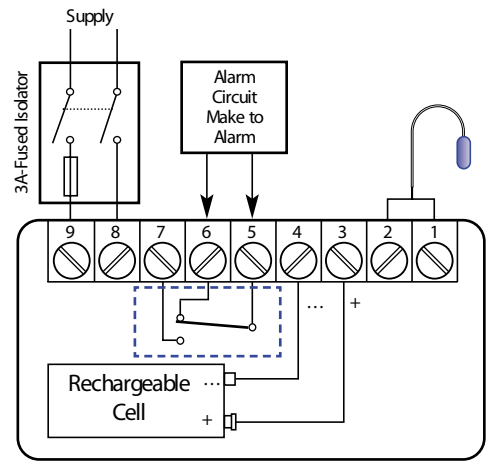
Specifications

Power Consumption	1.8VA Max.
Protection Rating	IP31, Class II
Remote Alarm Relay Rating	5A @ $\cos\phi=1$, 230VAC (max), isolated contacts.
Supply Terminals	Mounting Base. Screw Terminals, 3.5mm max wire size
Alarm Delay Time Range	1 to 90 minutes
Module Ambient Temperature	- 10 to +40° C.
Temperature Scale	°C
Overall Temperature Range	see "Products" below
Audible Alarm	80dB @ 1 metre.
Alarm Indicator lights	Power on, Power Failure, High and Low Temperature

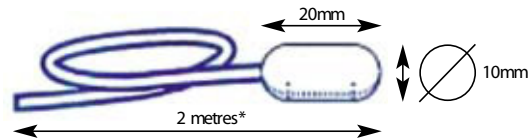
Dimensions



Connections



Sensor



*Can be extended to 100 metres

Products

Part No	Model	Temperature Range	
FPA.2264.1	FPA - 1000	-40 to + 10°C 230V 50/60Hz.	Temperature Alarm C/W 2 metre Sensor.
FPA.2264.2	FPA - 2000	0 to + 50°C 230V 50/60Hz.	Temperature Alarm C/W 2 metre Sensor.
FPA.2264.3	FPA - 3000	-10 to + 10°C 230V 50/60Hz.	Temperature Alarm C/W 2 metre Sensor.

Other Products

ACC.0055.0	Remote Alarm for remote fault indication.
FPAD-1000	-40° to + 50°C Temperature Alarm with digital readout and temperature memories
KWA-1000	Water Spillage Alarm



Distributed By:
Global Controls, Inc. 
3008-B 16th Avenue West Seattle, WA 98119-2029
Phone : (206) 282 - 4666 Toll Free : (800) 821 - 4863
Fax : (206) 282 - 4888 E-Mail : info@global-controls.net
http://www.global-controls.net