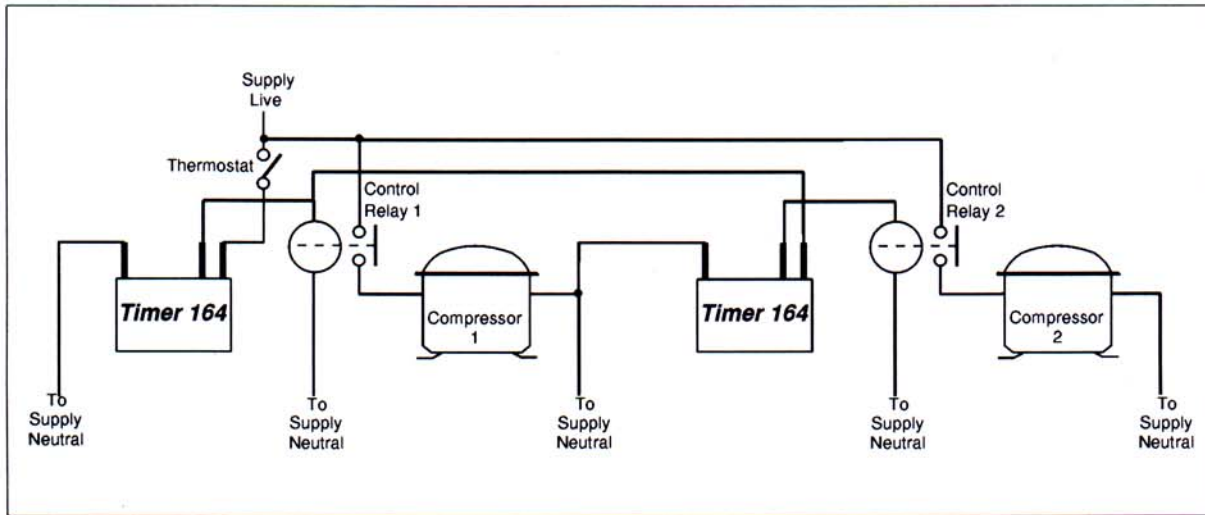
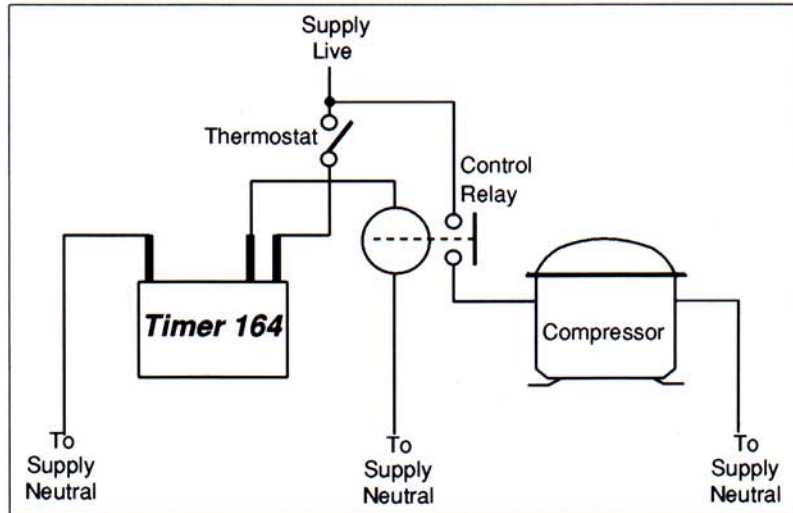




## Typical (Simplified) Circuits

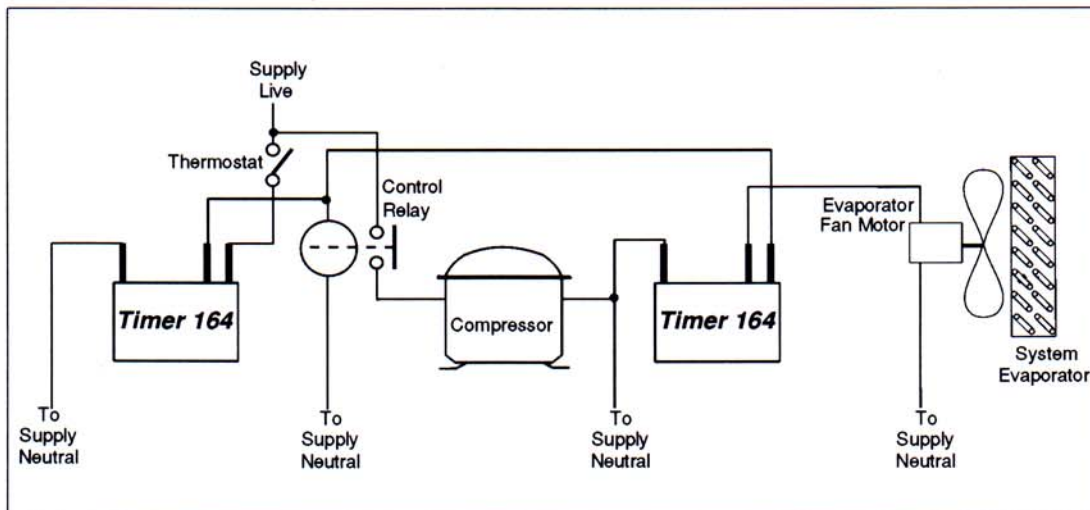
### Compressor Start Delay

Compressor starts 2¾ minutes after thermostat closes, preventing rapid compressor cycling and limiting starts to maximum of 20/hour



### Staggered Starting

1st compressor starts 2¾ minutes after thermostat closes, then 2nd compressor starts 2¾ minutes later, reducing maximum demand on the power supply



### Fan Delay

Evaporator fan starts 2¾ minutes after compressor starts, avoiding water blow-off in coldroom applications